

Director Overview

Origin Acoustics is the team that invented the architectural loudspeaker speaker category over thirty years ago. Today that same team is producing the finest in-ceiling and in-wall speakers available. These speakers represent patented, state-of-the-art technology that has resulted in unparalleled sound quality that blends seamlessly into any décor.

When real dynamic bass from the ceiling is the demand, the Director 100 series is the obvious answer. A massive 10" woofer backs up the incredible FocalPoint™ mid/tweeter assembly in our TriLinear®, three-way configuration. The FocalPoint™ also pivots to assure the sound ends up exactly where it needs to be. In addition, this 10" speaker astoundingly fits into a footprint the size of a conventional 8". Choose one of three performance levels and the Director 100 is sure to impress.



D104



D106



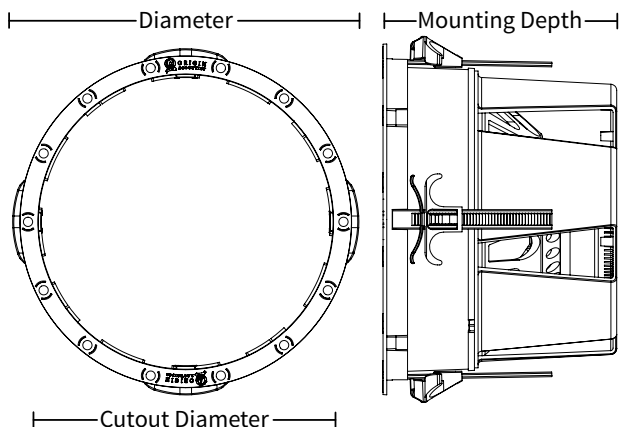
D108

Features

- **Dual Plane Stabilized Diaphragm (DPSD™) Tweeter**
The upper two performance levels feature this patented tweeter, which has greater output and is able to crossover much lower to either the woofer or the midrange improving both dispersion and frequency response
- **Director Technology**
The FocalPoint™ mid/tweeter module freely pivots 36 degrees allowing the critical mid and high frequencies to be directed toward the listening area from anywhere in the room.
- **X-Wave™ Woofer Surround**
This suspension element absorbs unwanted frequencies that reflect up and down the woofer cone reducing harmonic distortion while maintaining the desired linear travel of the woofer.
- **More Bass, Less Space**
The advanced design of these in-ceiling speaker baffles has allowed the use of a 10-inch woofer in the diameter of a typical 8-inch speaker dramatically increasing the efficiency and amount of bass they can produce.
- **TriLinear (TLC™) Configuration**
A unique three-driver design divides the frequency spectrum into smaller segments allowing the individual drivers to concentrate on a more limited sonic palette. This increases efficiency and allows for more precise voicing of the system.
- **EQ Adjustment**
A switch or switches on the baffle allows the installer to adjust the output of either the high frequencies or both high and low frequencies to custom tailor the sound based on the proximity of walls and other architectural elements in the room.
- **Woofer Cone Materials**
Origin woofers were designed from the ground up using only the finest materials. Depending on the performance level the cones are made of either Injection Molded Graphite (IMG), Glass Fiber or Kevlar™. In every case the cone is both rigid and light allowing it to respond with speed and precision.
- **Tool-less Mounting System**
This ZipClip™ system secures the speaker in the ceiling with exactly the right amount of torque to ensure a tight fit without warping the baffle or the drywall. This is accomplished by hand-squeezing the clips into place and locking the speaker assembly with a slight clockwise twist.
- **Compression Molded Baskets**
These complex baskets that support the woofer cones were computer designed and compression molded with absolute precision allowing for unique support and venting elements to assure peak performance.

Specifications

Diameter	11.25" (286mm)
Cutout Diameter	10.375 - 11" (262 - 282mm)
Mounting Depth	7.5" (188mm)



Model Number	D104	D106	D108
Part Number	SCD100400	SCD100600	SCD100800
Tweeter Dome	Aluminum	Silk DPSD	Silk DPSD
Tweeter Diameter	0.75" (20mm)	0.75" (20mm)	0.75" (20mm)
Midrange Cone	IMG	Glass	Kevlar
Midrange Diameter	4" (102mm)	4" (102mm)	4" (102mm)
Woofers Cone	IMG	Glass	Kevlar
Woofers Diameter	10" (254mm)	10" (254mm)	10" (254mm)
Adjustments	Treble	Treble & Bass	Treble & Bass
Frequency Response	28Hz-20kHz	28Hz-20kHz	25Hz-20kHz
Impedance	8 ohm	8 ohm	8 ohm
Recommended Power Handling	10-185 watts	10-200 watts	10-250 watts
Sensitivity	90dB ± 3dB	91dB ± 3dB	91dB ± 3dB

Accessories



• Square Grille



• New Construction Bracket



• Deep Draw Metal Enclosure (Fire Rated)



• Acoustic Enclosure (Wood)



• Cover Plates

For all warranty information, please refer to the Origin Acoustics website.

©2014 Origin Acoustics. All copyrighted, trademarked and patented elements mentioned herein are the sole property of Origin Acoustics.

www.originacoustics.com

